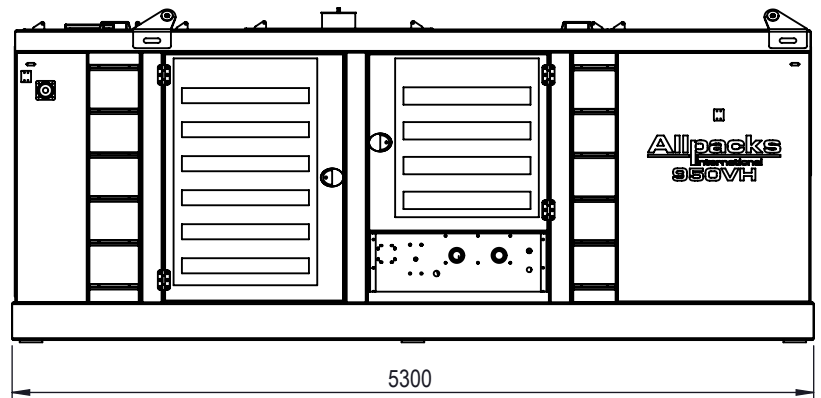
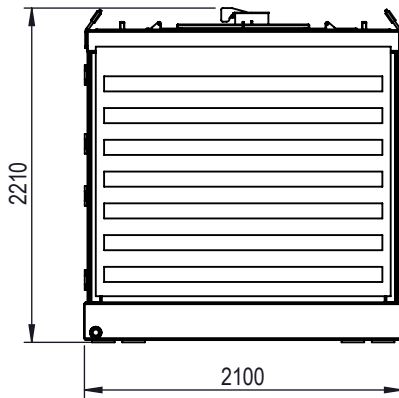
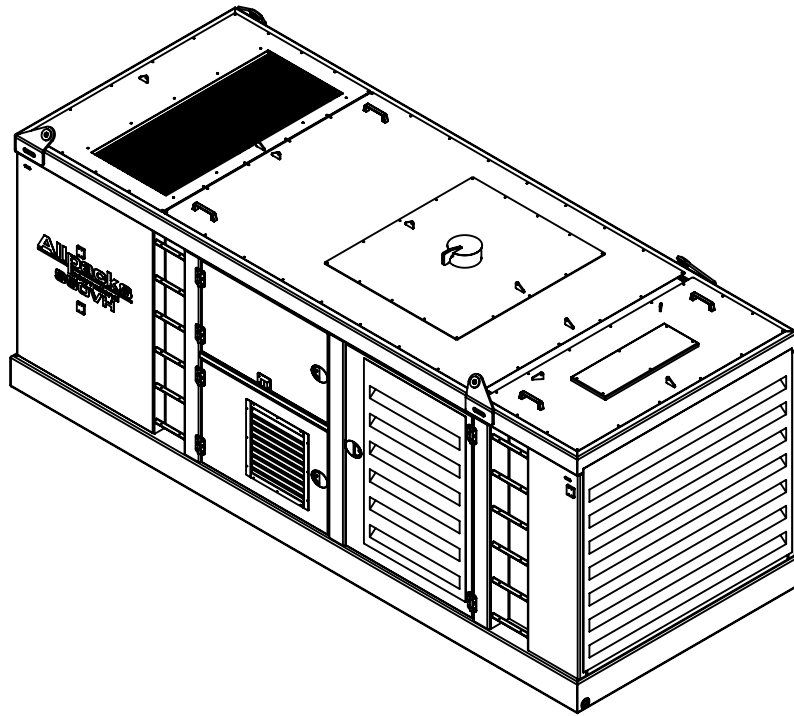


Specifications 950VH Eng. 09-08-17



**Specifications**

<b>Engine</b>	<b>797/585</b>	<b>Hp/kW</b>
<b>Hp/kW</b>	<b>350</b>	<b>bar</b>
<b>Max. pressure</b>	<b>950</b>	<b>l/min</b>
<b>Oil flow</b>	<b>1200</b>	<b>liter</b>
<b>Fuel tank</b>	<b>5300</b>	<b>mm</b>
<b>Lenght</b>	<b>2100</b>	<b>mm</b>
<b>Width</b>	<b>2210</b>	<b>mm</b>
<b>Height</b>	<b>10500</b>	<b>kg</b>
<b>Weight</b>		