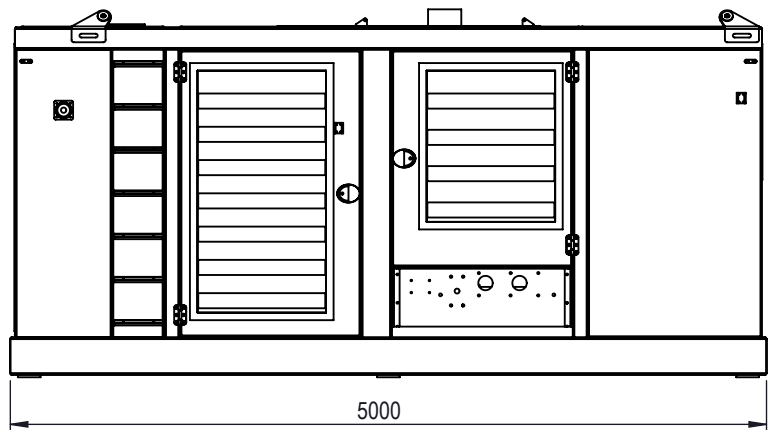
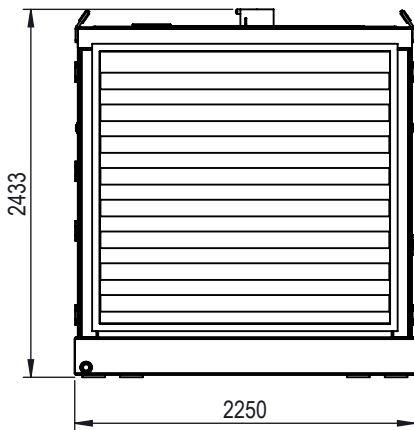
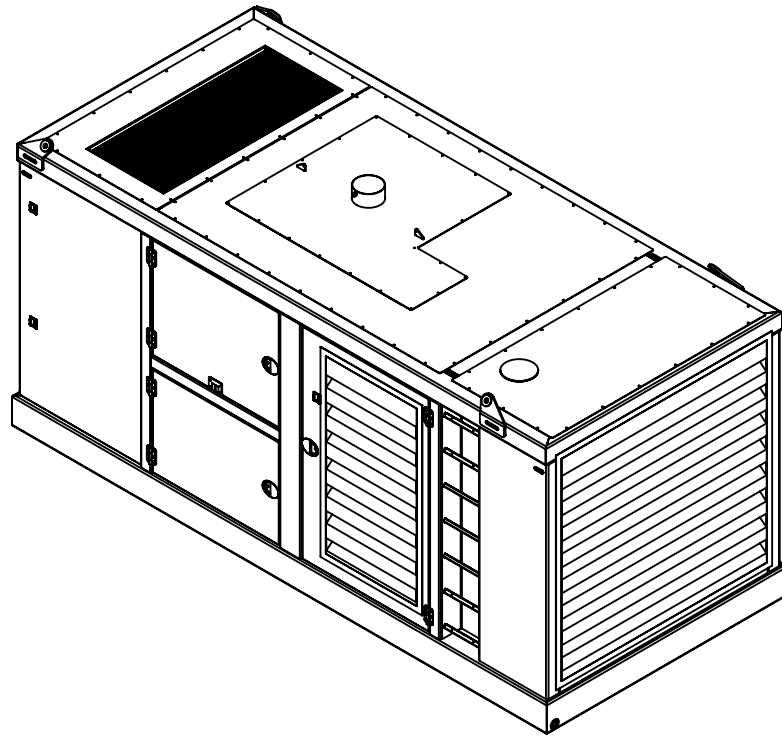


Specifications 800VH Eng. 09-08-17



Specifications

Engine	586/430	Hp/kW
Hp/kW	350	bar
Max. pressure	800	l/min
Oil flow	1200	liter
Fuel tank	5000	mm
Lenght	2250	mm
Width	2433	mm
Height	10500	kg
Weight		