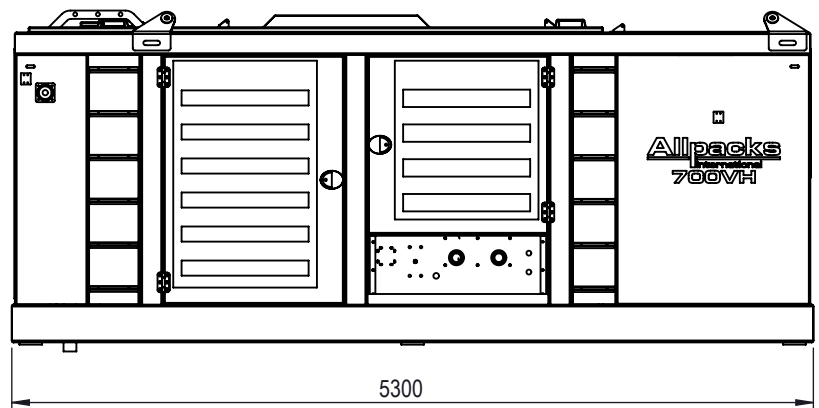
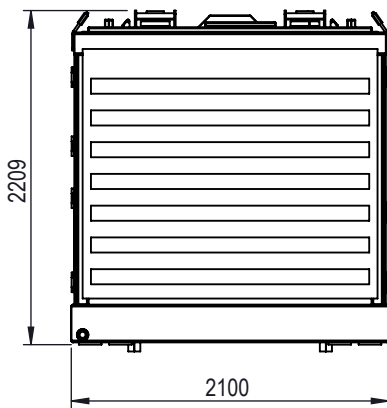
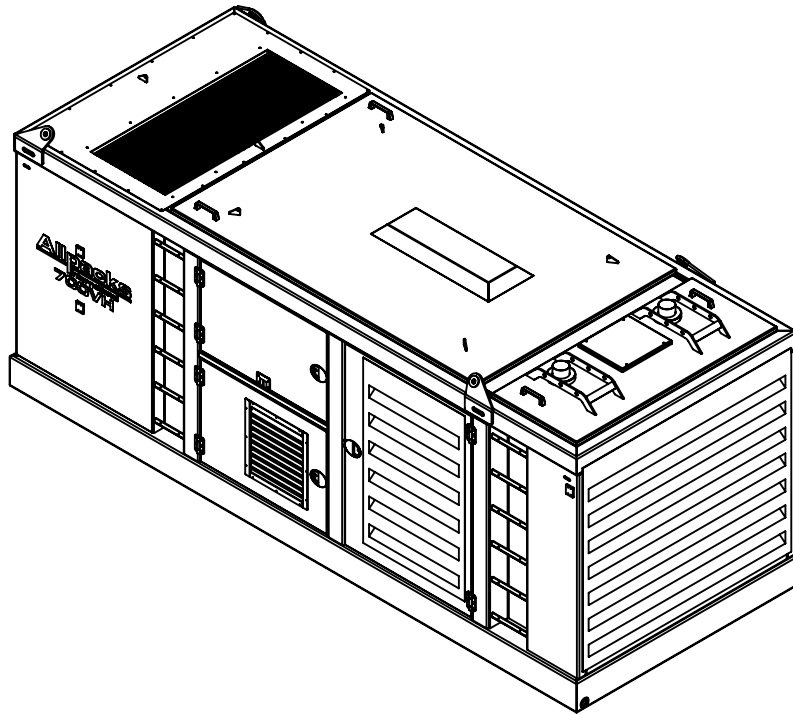


Specifications 700VH Eng. 09-08-17



Specifications

Engine	Tier 4 Final	
Hp/kW	700/515	Hp/kW
Max. pressure	350	bar
Oil flow	700	l/min
Fuel tank	800	liter
Lenght	5300	mm
Width	2100	mm
Height	2209	mm
Weight	10500	kg