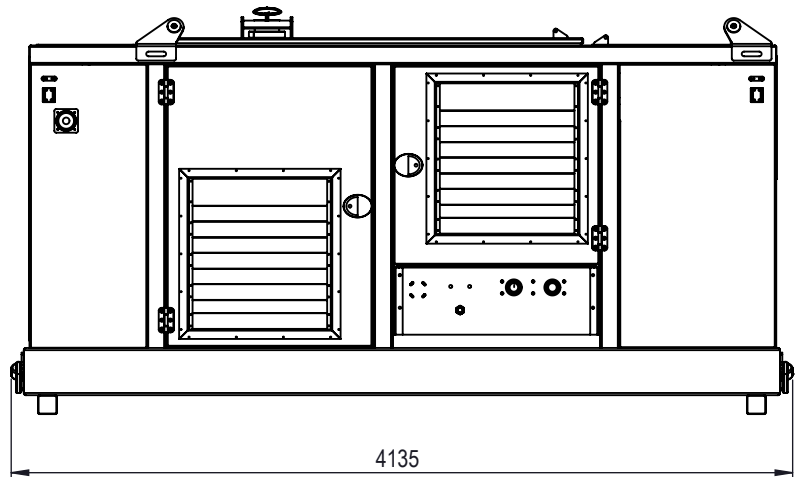
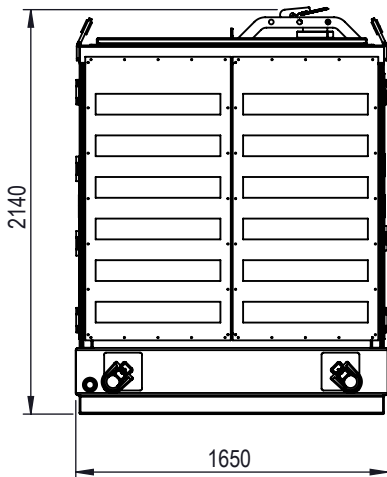
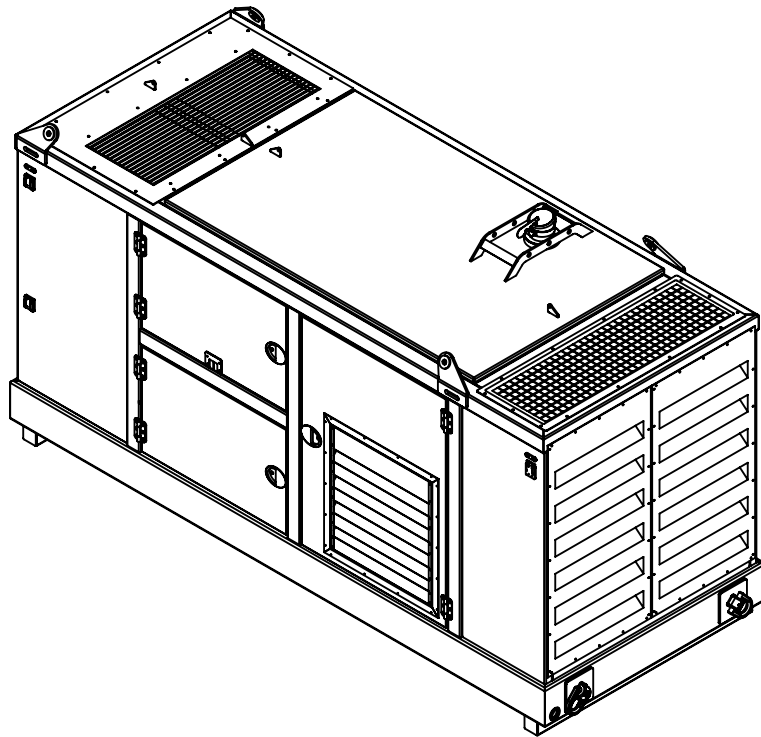


Specifications 400VH Eng. 09-08-17



**Specifications**

<b>Engine</b>	<b>Tier 4 Final</b>	
<b>Hp/kW</b>	<b>360/265</b>	<b>Hp/kW</b>
<b>Max. pressure</b>	<b>350</b>	<b>bar</b>
<b>Oil flow</b>	<b>400</b>	<b>l/min</b>
<b>Fuel tank</b>	<b>550</b>	<b>liter</b>
<b>Lenght</b>	<b>4135</b>	<b>mm</b>
<b>Width</b>	<b>1650</b>	<b>mm</b>
<b>Height</b>	<b>2140</b>	<b>mm</b>
<b>Weight</b>	<b>6000</b>	<b>kg</b>