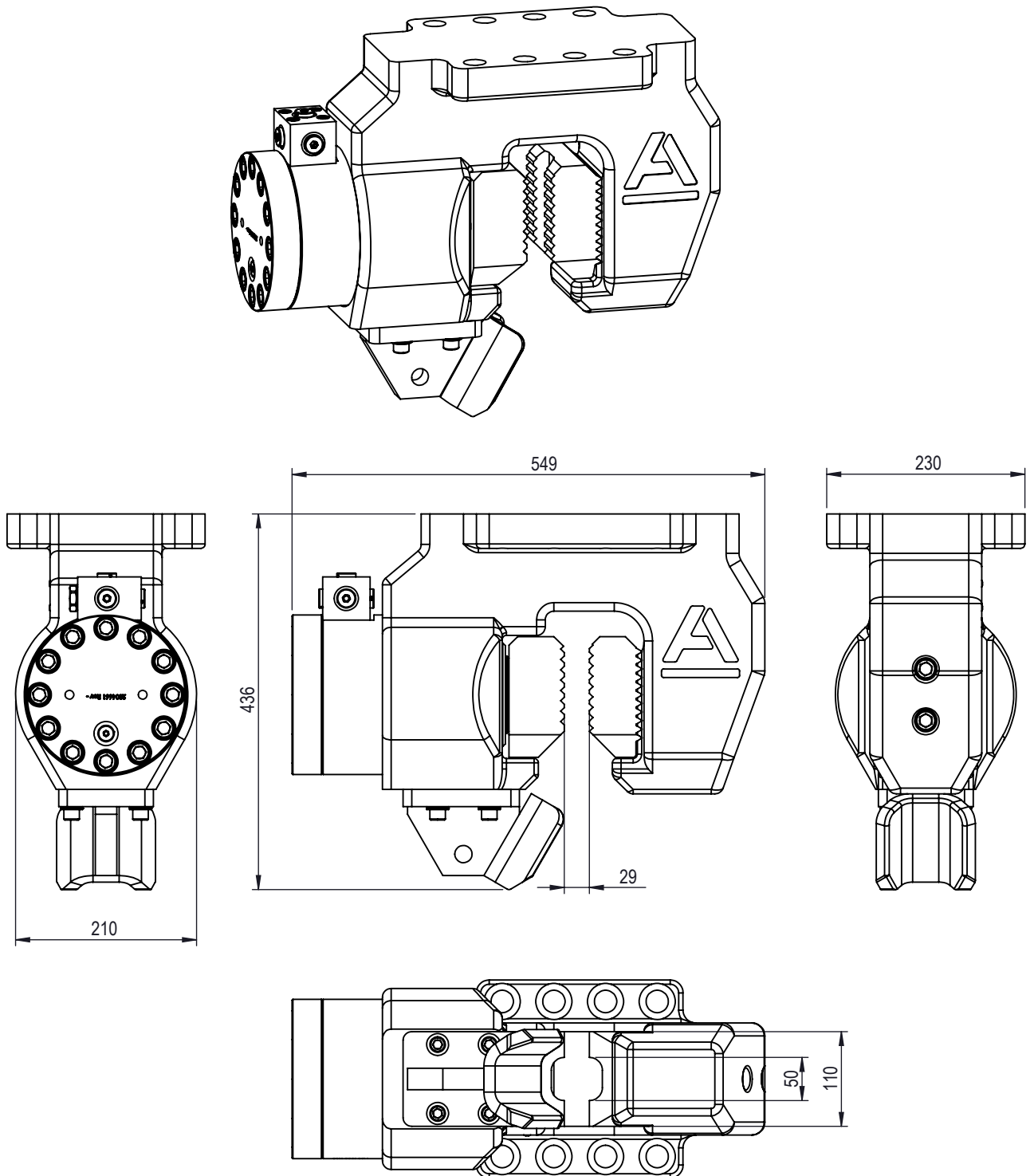


Specifications 30UC Eng. 20-10-17



Specifications

Clamping force	320	kN
Pressure	310	bar
Weight	160	kg