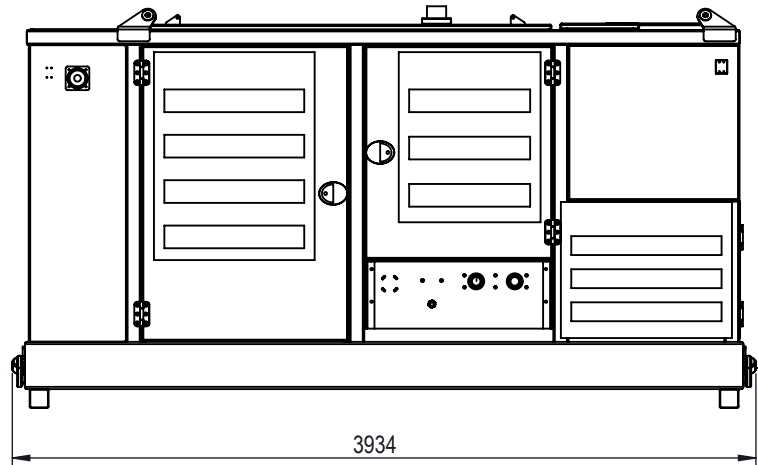
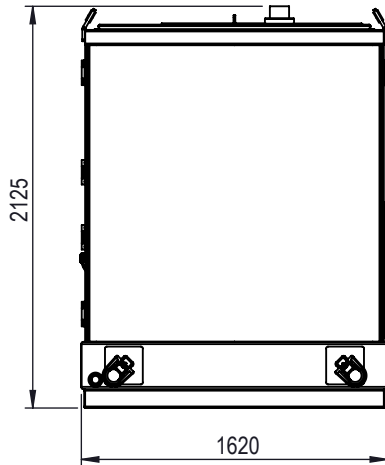
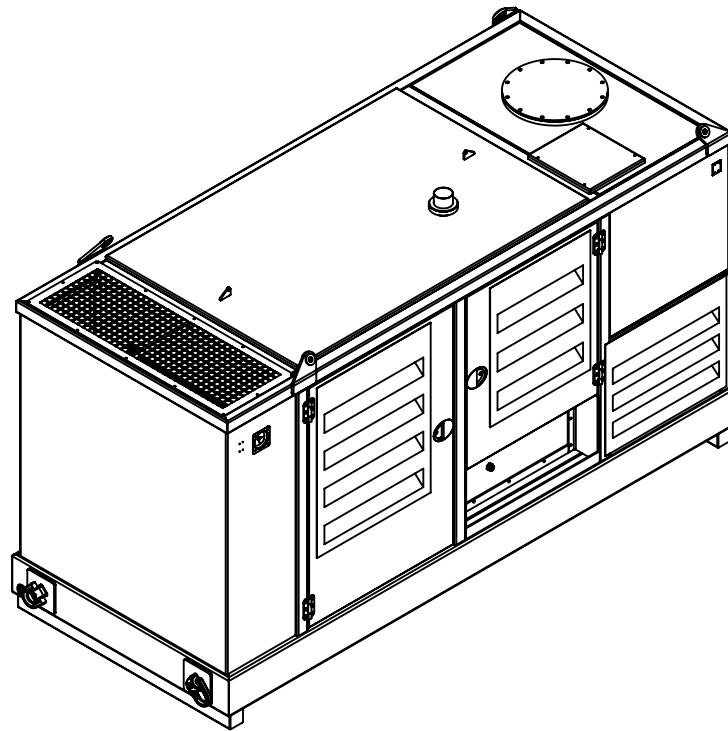


Specifications 300VH Eng. 09-08-17



Specifications

Engine	Tier 4 Final	type
Hp/kW	252/185	Hp/kW
Max. pressure	350	bar
Oil flow	300	l/min
Fuel tank	300	liter
Length	3934	mm
Width	1.620	mm
Height	2.125	mm
Weight	5.000	kg