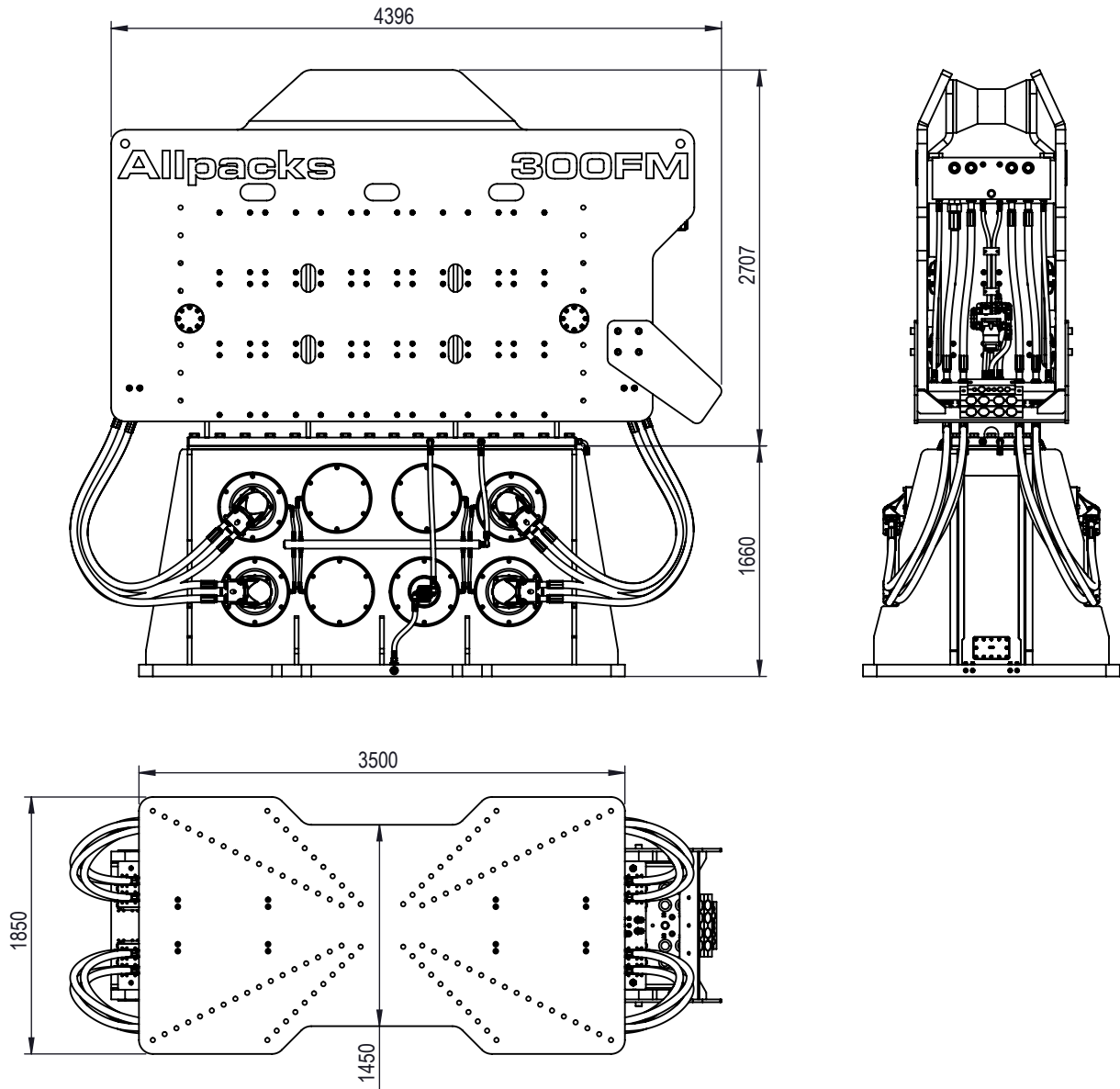


Specifications 300FM Eng. 01-08-17



**Specifications**

<b>Eccentric moment</b>	<b>300</b>	<b>kgm</b>
<b>Frequency</b>	<b>1400</b>	<b>rpm</b>
<b>Centrifugal force</b>	<b>6448</b>	<b>kN</b>
<b>Dynamic weight</b>	<b>22000</b>	<b>kg</b>
<b>Amplitude</b>	<b>27</b>	<b>mm</b>
<b>Amplitude incl. clamp</b>	<b>20</b>	<b>mm</b>
<b>Max. Static line-pull</b>	<b>4000</b>	<b>kN</b>
<b>Max. Operating pressure</b>	<b>350</b>	<b>bar</b>
<b>Max. Oil flow</b>	<b>2860</b>	<b>l/min</b>
<b>Total weight w.o. clamp</b>	<b>41000</b>	<b>kg</b>

**Clamps**

<b>Caisson</b>	<b>4x 165CC</b>
<b>Weight</b>	<b>4x 1.600 kg</b>

**Powerpack**

<b>Type</b>	<b>3000VH</b>
<b>Weight</b>	<b>35000 kg</b>