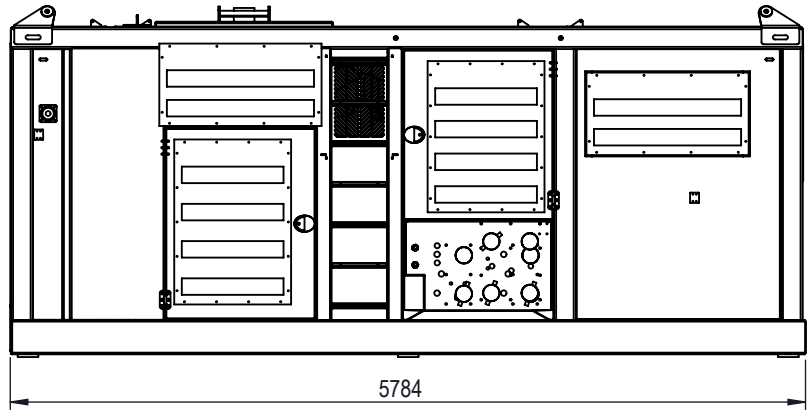
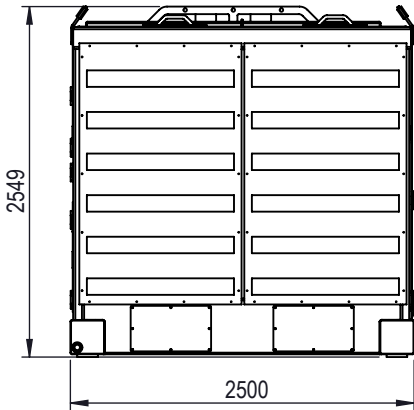
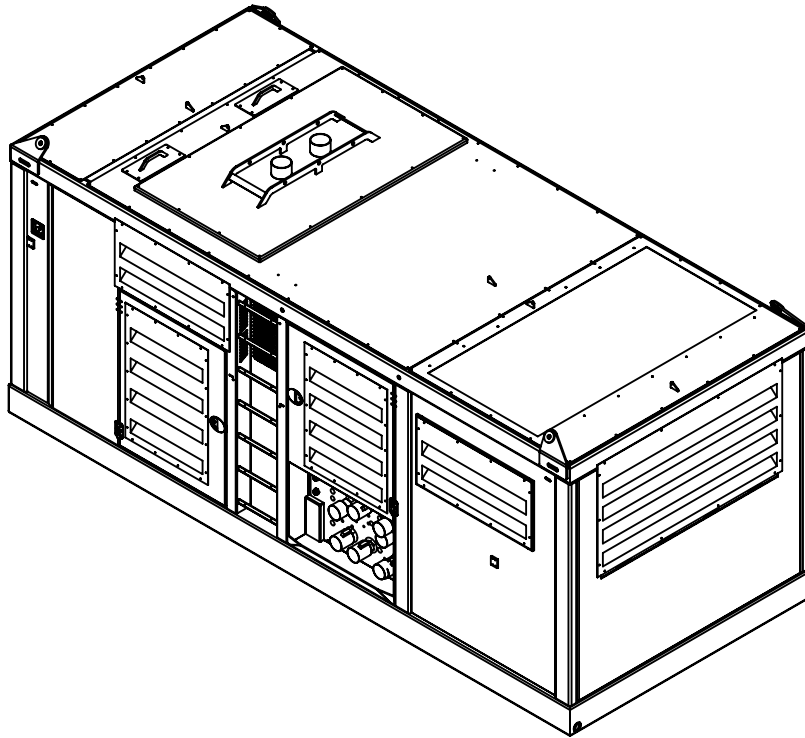


Specifications 1500VH Eng. 09-08-17



**Specifications**

<b>Engine</b>	<b>1450/1064</b>	<b>Hp/kW</b>
<b>Hp/kW</b>	<b>350</b>	<b>bar</b>
<b>Max. pressure</b>	<b>1500</b>	<b>l/min</b>
<b>Oil flow</b>	<b>1500</b>	<b>liter</b>
<b>Fuel tank</b>	<b>5784</b>	<b>mm</b>
<b>Length</b>	<b>2500</b>	<b>mm</b>
<b>Width</b>	<b>2549</b>	<b>mm</b>
<b>Height</b>	<b>16500</b>	<b>kg</b>
<b>Weight</b>		